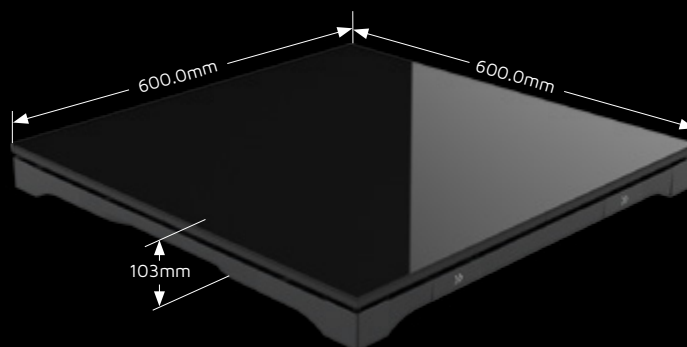


## Specifications

Module	BM5-PC Matte	BM5-Glass
Pixel Pitch	5.76mm	5.76mm
Max. Brightness Calibrated	2,000nits	800nits
Panel Dimension	600 x 600 x 103mm 23.6" x 23.6" x 4.1"	600 x 600 x 103mm 23.6" x 23.6" x 4.1"
Panel Resolution (H x V)	104 x 104	104 x 104
Weight Per Panel	13.5kg; 29.76lbs	18.3kg; 40.35lbs
Power Consumption Max/Average	270W / 135W	270W / 135W
BTU Max/Average	921 / 424	921 / 424
Transparency	Solid	Solid
Serviceability	Front	Front
LED Configuration	SMD 1921 White	SMD 1921 White
Viewing Angle Horizontal	140°	140°
Multiplexing	4	4
Refresh Rate	1920Hz	1920Hz
Gray Scale	16bit	16bit
Frame Material	Magnesium Alloy	Magnesium Alloy
Operational Temp / Humidity	-20°~ 45°C, 10-90%RH -4°~113°F, 10-90%RH	-20°~ 45°C, 10-90%RH -4°~113°F, 10-90%RH
Storage Temp / Humidity	-40°~ 60°C, 10-90% RH -40°~140°F, 10-90% RH	-40°~ 60°C, 10-90% RH -40°~140°F, 10-90% RH
IP Rating	IP65	IP65
Certifications	CE, ETL, FCC	CE, ETL

## Dimensions



[www.roevisual.com](http://www.roevisual.com)

ROE Visual Co., Ltd. | ROE Visual US, Inc. | ROE Visual Europe BV  
 roe@roevisual.com | usa@roevisual.com | europe@roevisual.com